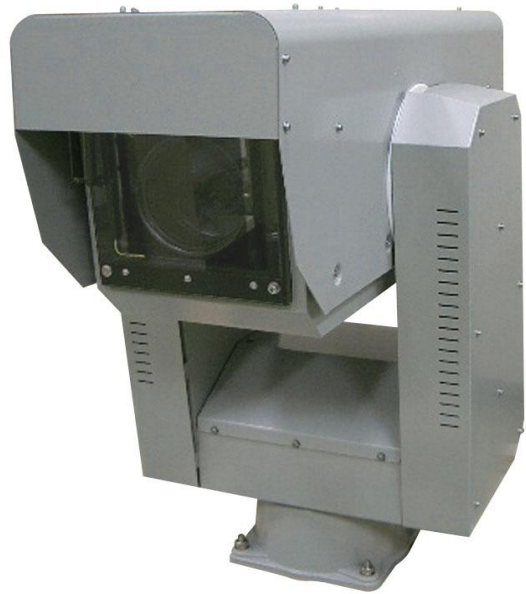


High-sensitivity PTZ color camera

NT-S962



Combination of super-high sensitivity camera and 35x large magnification lens, enables **long-distance color shooting in darkness**.

With digital processing and digital noise reduction circuits, the camera has such a high performance that it can take images with high **quality comparable to that of broadcasting cameras** and at the same time is capable of taking moving images in low light like starlight.

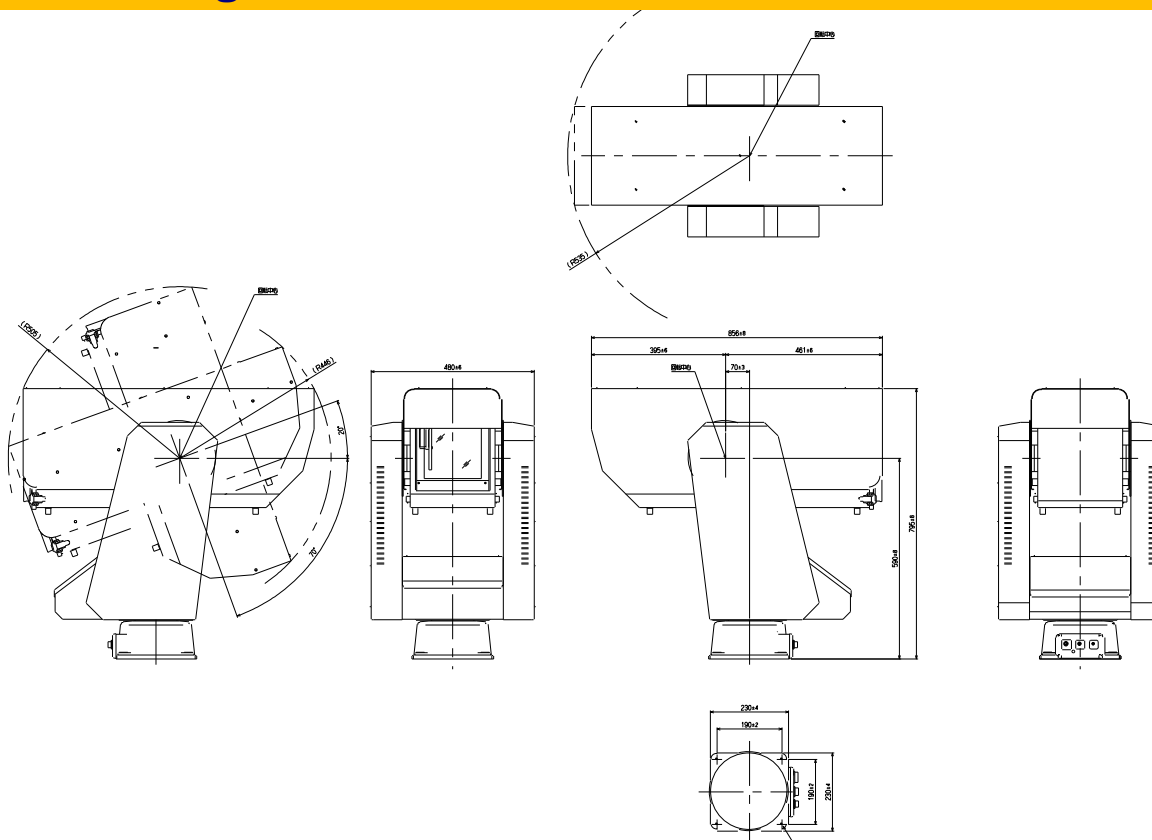
Features

- The camera can take moving images in low light like starlight without using a charge storage function as **Electronically Multiplied charges** are generated through photoelectric conversion within the CCD.
- The camera can take images at high sensitivity in the night by using a filter disk drive and **simultaneous use of an IR pass filter and a near-infrared floodlight**. In the daytime, use of ND filter **prevents the lens from extreme aperture squeezing** in outdoor situations.
- The camera **realizes both multi-functionality and improved stability** using the newly developed LSI circuits which take advantage of the latest digital signal processing technology.
- The camera can take clear images even at low luminance due to advanced functionality and **digital noise reduction** which is optimally controlled with microcomputers. Additionally, wide range **automatic white balance** and **automatic gain control** produces excellent pictures throughout 24 hours.
- The camera can **easily catch the object located far away** with 2x optical extender, 35x Zoom lens and high speed pan & tilt head.
- **Pan and tilt control speed automatically** slows down or dramatically increases as per the usability (like in case of telephoto shooting) with the help of Zoom ratio function, .

Specification

General		Camera	
Mounting Condition	Outdoor Upright	Pick up Devices	1/2" EM-CCD 3 Chip
Power	AC100V 50/60Hz 11A(Maximum)	Pixels	658(H) × 496(V) each chips
Operating Temperature	-20°C ~ +50°C Below 0°C: Contentious Power feeding No freezing Except wiper operation	Television Standard	NTSC
		Horizontal Resolution	800TV Lines(Typ.)
		Minimum Illumination	0.0003lx for full motion. 0.00003lx for still picture.
Humidity	10%~90%(Relative humidity, condensation-free)	SNR	65dB (DNR: ON)
Wind velocity	Up to 20m/s Correct operation Up to 40m/s Operation Up to 60m/s Non-destructive	Lens	
		Zoom Ratio	35 times
		Focal Length	15~525mm (30~1050mm with 2 times extender)
Environmental resistance	IP66	FOV	15mm 24.1° × 18.2° 525mm 0.70° × 0.52° 1050mm 0.35° × 0.26°
Body Color	Munsell N7.0 semi-gloss		
Weight	Approx. 72kg		Pan and Tilt Functions
Dimensions	480(W) × 795(H) × 856(D) (mm) (Excluding projections)	Pan & Tilt angle	Horizontal 360° endless Vertical +20° ~-70°
		Pan & Tilt Speed	Pan speed 90°/s(max) Tilt speed 45°/s(max)

Outside diagram



- If this product is exported outside Japan and is deemed to be a strategic good (or service) by the provisions of the Foreign Exchange and Foreign Trade Law, then export authorization by the Japanese government is required based on that Law.
- The figure and specification of the product described herein are subject to change for improvement and other reasons without prior notice.

Second edition: June 2007

For further information, contact, NEC Corporation

NEC Headquarters Building, 5-7-1 Shiba, Minatoku, Tokyo 108-8001. Phone: 81-3-3798-1591

<http://www.nec.com/en/global/solutions/security/>